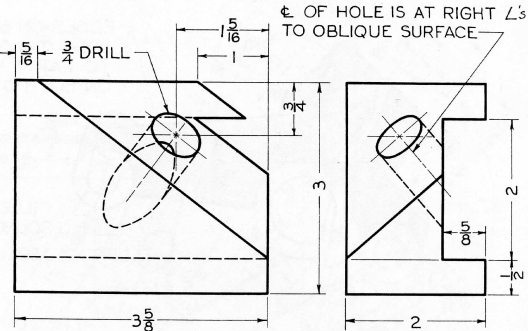


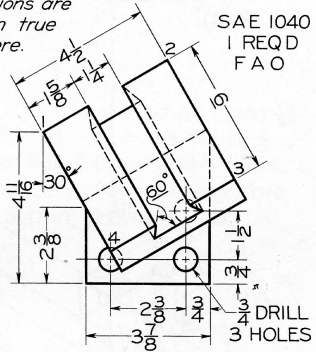
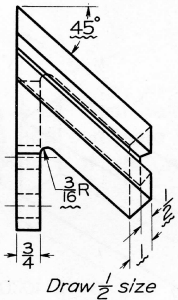
**Fig. 8-51 Control Bracket.** Draw necessary views including primary and secondary auxiliary views so that the latter shows true shape of oblique surface A (Layout B-4).



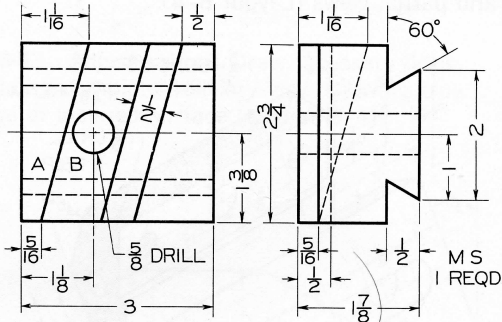
**Fig. 8-52 Holder Block.** Draw given views and primary and secondary auxiliary views so that the latter shows true shape of oblique surface (Layout B-4).

Underlined dimensions are actual—not shown true size here.

SAE 1040  
1 REQD  
FAO

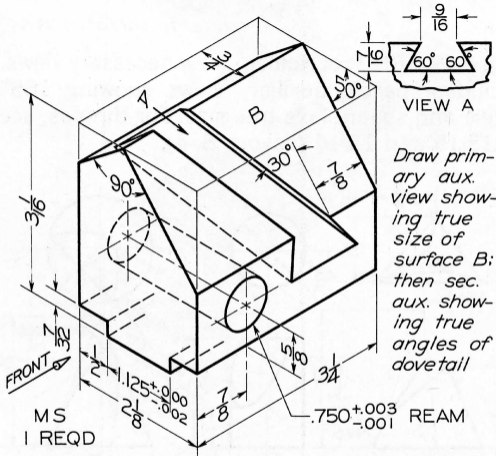


**Fig. 8-53 Dovetail Slide.** Draw complete given views and auxiliary views, including view showing true size of surface 1-2-3-4 (Layout B-4).



*Draw primary aux. view showing angle between planes A and B; then secondary auxiliary view showing true size of surface A.*

**Fig. 8-54 Dovetail Guide.** Draw given views plus complete auxiliary views as indicated (Layout B-4).



**Fig. 8-55 Adjustable Stop.** Draw complete front and auxiliary views plus partial right-side view. Show all hidden lines (Layout C-4).

