

Fig. 8-37 Brace Anchor. Draw necessary views, including partial auxiliary view showing true shape of cylindrical portion (Layout B-4).

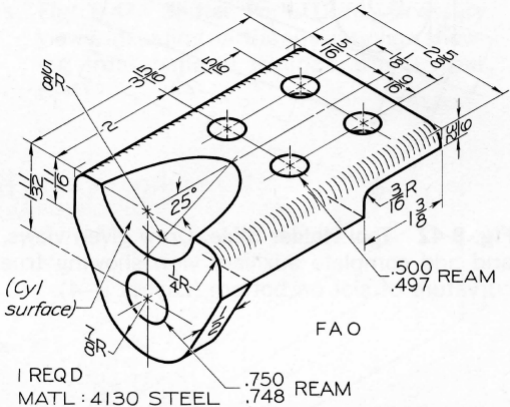
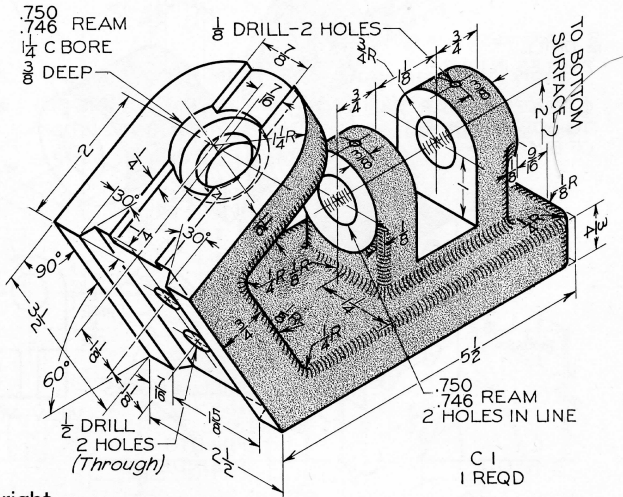


Fig. 8-39 Angle Guide. Draw necessary views, including a partial auxiliary view of cylindrical recess (Layout B-4).



right-
 auxiliary
 epe of
 -3).

Fig. 8-41 Control Bracket. Draw necessary views, including partial auxiliary views and regular views (Layout C-4).