

Fig. 6-84 Control Block (Layout A-3).*

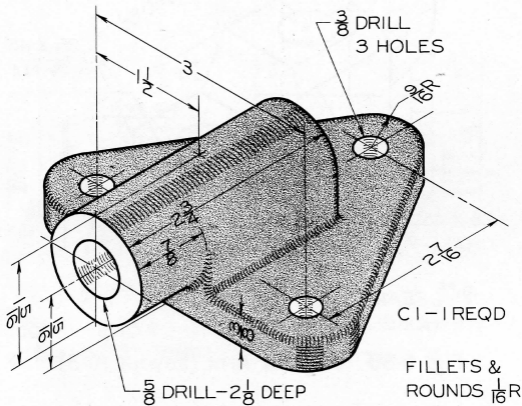


Fig. 6-85 Socket Bearing (Layout A-3).*

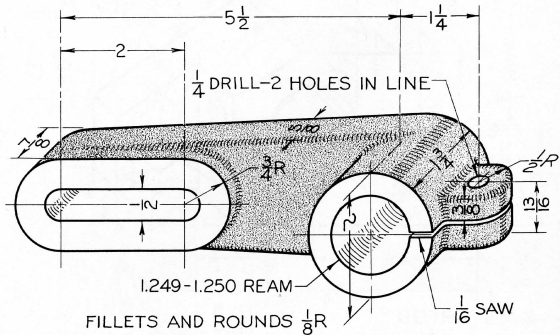


Fig. 6-88 Anchor Bracket (Layout A-3).*