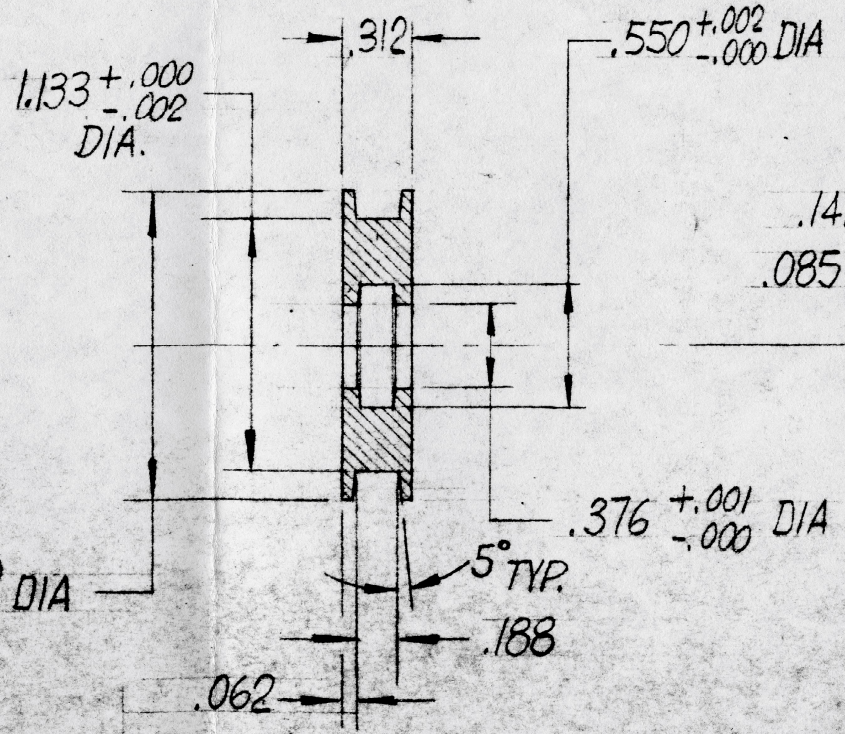
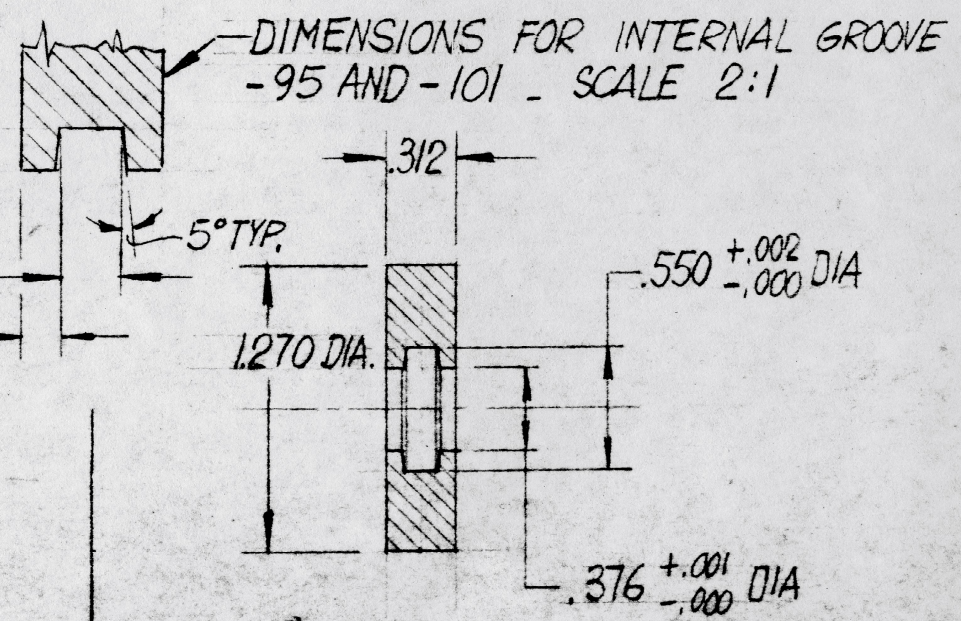


5R



DETAIL - 95



DIMENSIONS FOR INTERNAL GROOVE
- 95 AND - 101 - SCALE 2:1

DETAIL - 101