

Place an exploded view

In this module, you'll add an exploded view to a drawing sheet and create a customized parts list.

Learning objectives:

- Create an exploded view.
- Create a parts table.

Parts List				
Item	Qty	Part Number	Part Name	Material
1	1	BGP-1001	Blade Guard Post (1)	Steel
2	1	Blade Guard Base Rivet (1)	Blade Guard Base Rivet (1)	Steel
3	1	Blade Guard Base Pin (1)	Blade Guard Base Pin (1)	Steel
4	1	Blade Guard Washer (1)	Blade Guard Washer (1)	Steel
5	1	Blade Guard Bolt (1)	Blade Guard Bolt (1)	Steel
6	1	Blade Guard Lock Washer (1)	Blade Guard Lock Washer (1)	Steel

The completed exercise

1. Continue with the model and drawing files from the previous module.

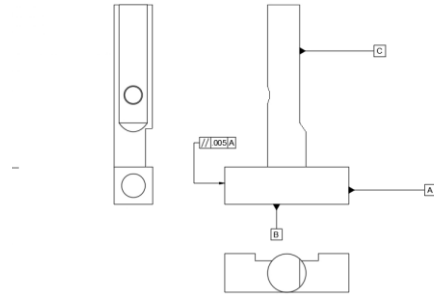


Figure 1. Continue with the files from the previous module

2. Add a third sheet to the drawing by clicking Quick Add in the screen's bottom left corner.

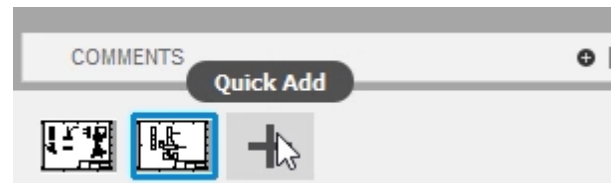


Figure 2. Add a sheet to the drawing

3. Click Create> Base View, then choose Storyboard1 from the dialog's Representation menu.

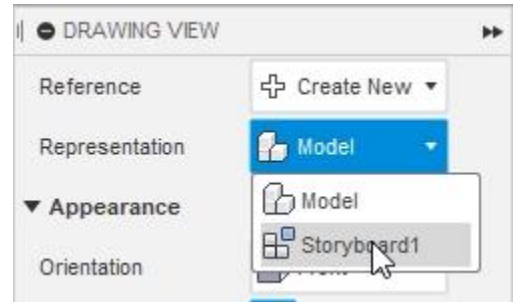


Figure 3. Open the Base View tool and choose the representation

4. Notice that the exploded view uses the last view recorded in the animation timeline. Place the exploded view onto the drawing sheet and OK the dialog.

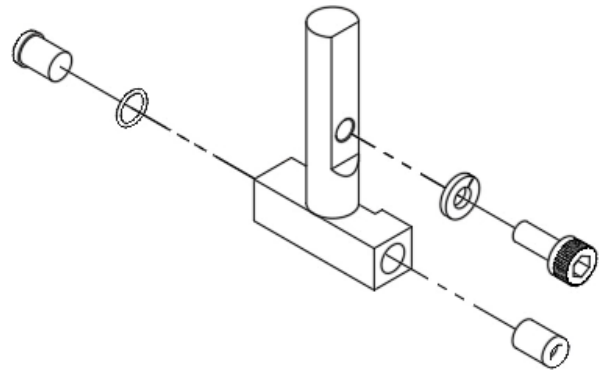


Figure 4. Place the exploded view

5. Navigate to the blade guard assembly tab, make sure you are in the Design workspace, then rotate the model to a new position.

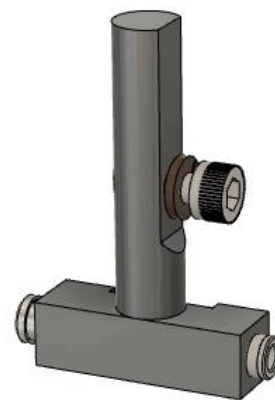


Figure 5. Rotate the solid model

6. Right-click the Browser's Named Views folder and choose New Named View.



Figure 6. Create a new view

7. Rename the new named view as **ForDrawing**, then press Enter. Save the design.



Figure 7. Rename the new view

8. Return to the blade guard assembly Drawing tab and notice the warning icon at the top of the screen. This warning icon indicates that the drawing file is not referencing the model's most recent version.

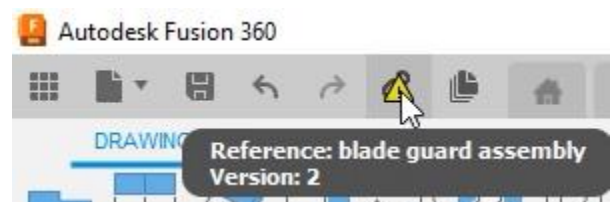


Figure 8. Return to the drawing and notice the warning

9. Click the warning icon to update the reference and notice that the warning disappears.

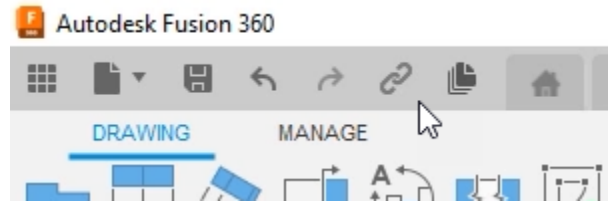


Figure 9. Resolve the warning by updating the reference

10. Double-click the exploded view, then choose the ForDrawing option from the dialog's Orientation menu. The sheet's drawing view updates to match the orientation you chose in Step 5. Close the Drawing View dialog.

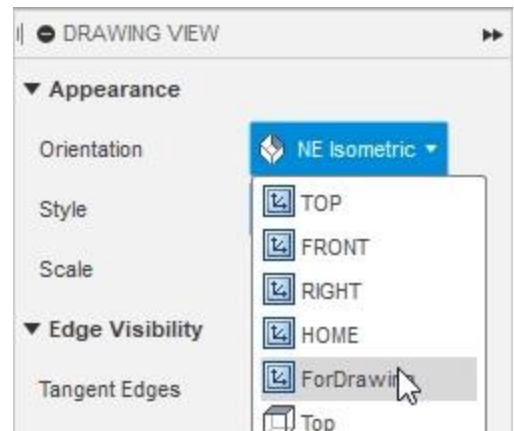


Figure 10. Change the view's orientation

11. Expand the Tables groups menu and inspect the many types of tables you can create. Click Tables> Parts List.

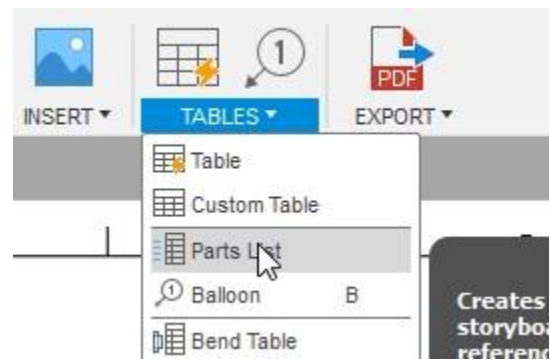


Figure 11. Open the Parts List tool

12. Anchor the parts list to the sheet's top right corner.

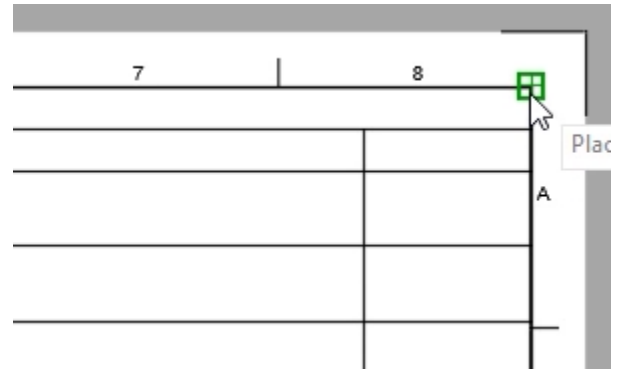


Figure 12. Anchor the parts list to the sheet's corner

13. After placing the table, notice that it is automatically populated with some information.

Parts List				
Item	Qty	Part Number	Description	Material
1	1	Blade Guard Base Rivet (1)		Steel
2	1	Blade Guard Lock Washer (1)		Steel
3	1	Blade Guard Washer (1)		Steel
4	1	Blade Guard Base Pin (1)		Steel
5	1	Blade Guard Bolt (1)		Steel
6	1	Blade Guard Post (1)		Steel

Figure 13. Inspect the new table

14. Also notice that balloons are automatically applied to the model. Some of the balloons might need to be repositioned to increase the drawing's clarity. Click and drag the balloon's gray box to a new position so that the balloon leaders do not overlap.

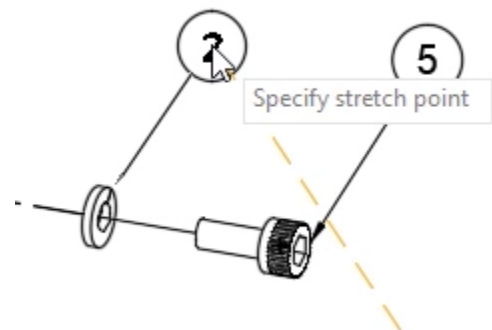


Figure 14. Reposition the balloons

15. Click Tables> Renumber.

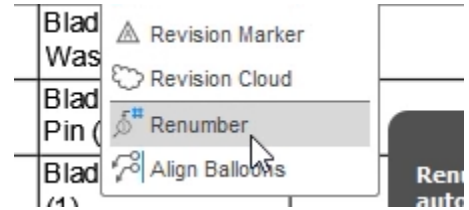


Figure 15. Open the Renumber tool

16. Click the balloons in the order you want them to be numbered: the first balloon you click will be 1, the second will be 2, and so on. Notice the table is also renumbered to match the balloons. OK the Renumber dialog after you're satisfied with the result.

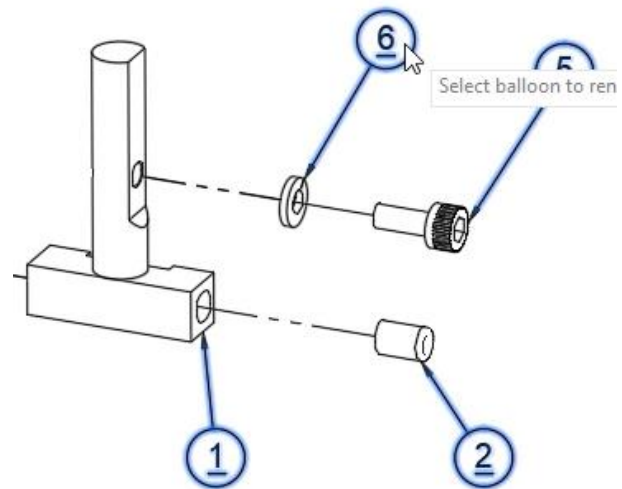


Figure 16. Renumber the balloons

17. The information in the parts list comes from the design's properties. Return to the blade guard assembly tab, select the Blade Guard Post component, right-click it, then choose Properties from the menu.



Figure 17. Open the component's properties

18. Edit the component's properties by creating a new part number and name, then OK the Properties dialog. Save the design and return to the blade guard assembly Drawing tab.

General	
Part Number	BGP-1001
Part Name	Blade Guard Post
Description	
Material Name	Steel

Figure 18. Edit the component's properties

19. Update the drawing's references to remove the warning icon.



Figure 19. Update the references

20. After the table is updated, the component's custom properties are displayed.

			Parts List
Item	Qty	Part Number	
1	1	BGP-1001	
2	1	Blade Guard Base Rivet (1)	

Figure 20. Inspect the updated information

21. Double-click the table to open the Parts List dialog. Notice that you can add or remove fields from the table by toggling the check boxes. Close the dialog after you finish customizing the table. Save the file and continue to the next module.

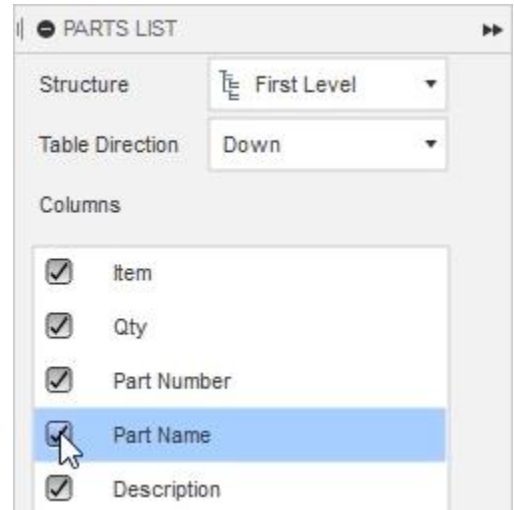


Figure 21. Customize the table