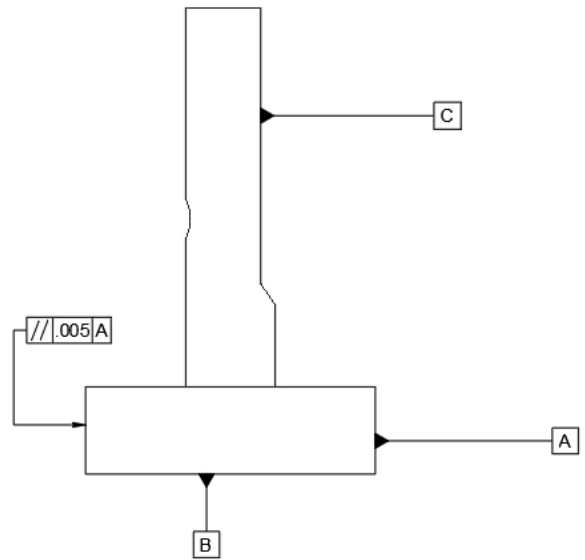


## Add GD&T text and symbols

In this module, you'll use the Text and Feature Control Frame tools to add information to an existing drawing sheet.

### Learning objectives:

- Add GD&T annotations.
- Use Text.



The completed exercise

1. Continue with the drawing file from the previous module.

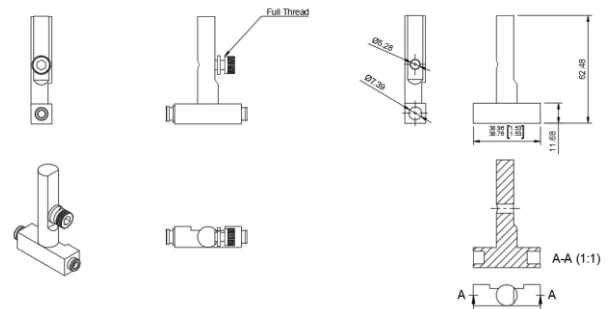


Figure 1. Continue with the file from the previous module

2. Adding symbols and GD&T annotations is a critical part of the manufacturing process. Add a new sheet to the current drawing by clicking Quick Add in the screen's bottom left corner.



Figure 2. Add a new drawing sheet

3. Click Create> Base View, change the dialog's Scale to **2:1**, then click to place the view in the drawing sheet's center. Ok the dialog to accept the new base view.

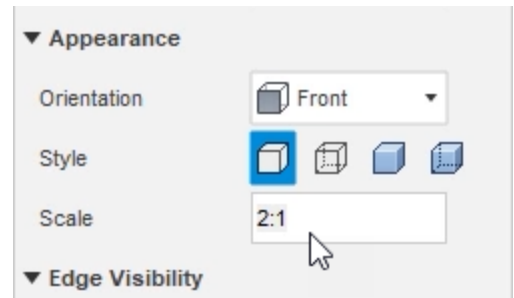


Figure 3. Open the Base View tool and place a view

4. Use the Browser to hide all the components except for the Blade Guard Post.

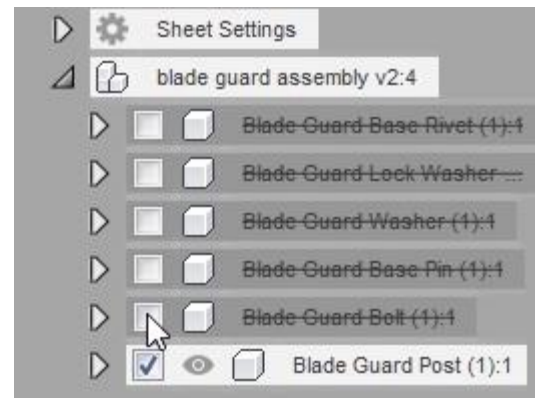


Figure 4. Suppress the unnecessary components

5. Click Create> Projected View, then place a projected view beside and below the base view. Click the green checkmark to accept the projected views.

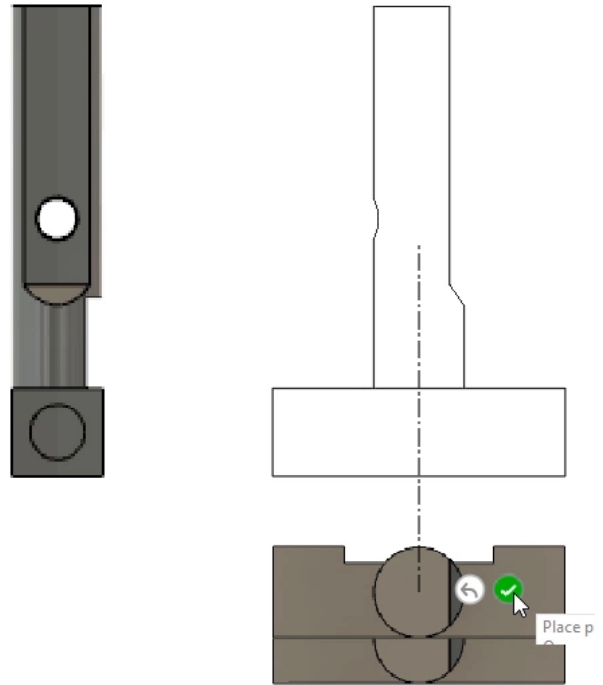


Figure 5. Create projected views

6. Click Text> Text.

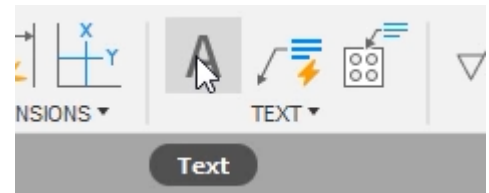


Figure 6. Open the Text tool

7. Click twice to define the text box's size.

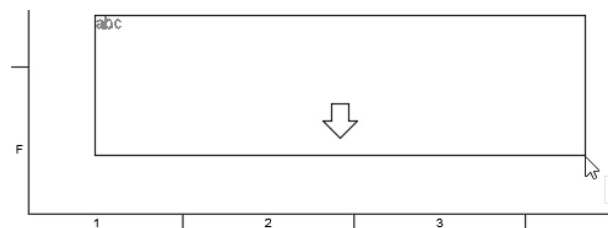


Figure 7. Draw the text box

8. Type the note you want to add to the drawing sheet, then press Enter.

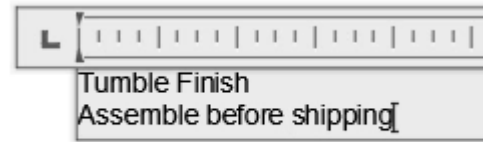


Figure 8. Type the note you want to add

9. After creating the text, you can click and drag it to a new location on the drawing sheet.

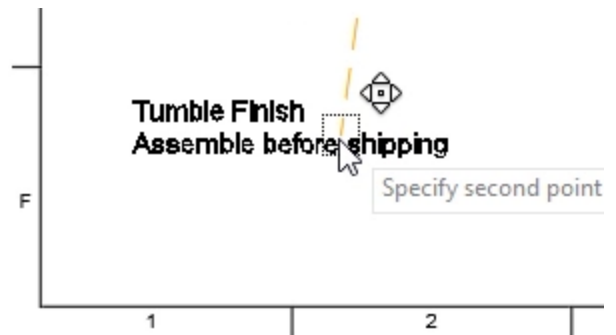


Figure 9. Drag the text to a new location

10. Click Symbols> Datum Identifier.

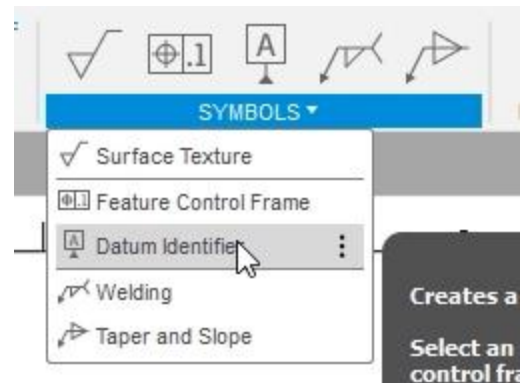


Figure 10. Open the Datum Identifier tool

- 11.** Click one of the drawing view's edges to attach the identifier, click a second time to choose the identifier's leader location, then click a third time to place the identifier onto the drawing sheet.

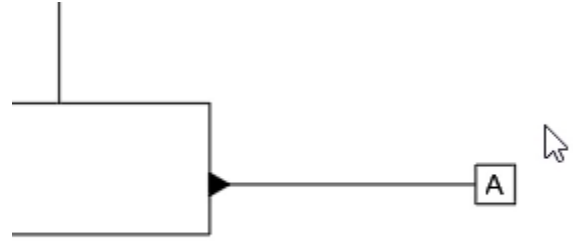


Figure 11. Place the datum identifier

- 12.** Note the options you can use to customize the identifier, then OK the dialog.



Figure 12. Customize and create the datum identifier

- 13.** Click Symbols> Datum Identifier and add a datum identifier to one of the drawing view's other edges. Notice that it is automatically labeled as Datum B. OK the dialog to accept the new datum identifier.

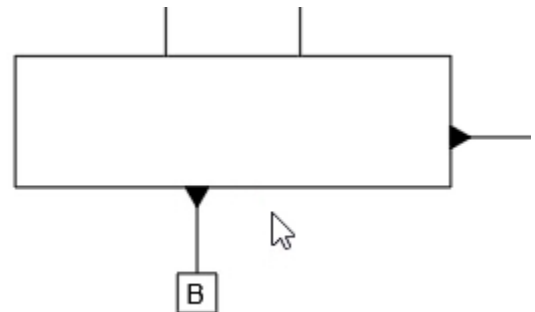


Figure 13. Create a new datum identifier

**14.** Right-click in an open area of the drawing sheet and choose the Repeat Datum Identifier option from the Marking Menu.

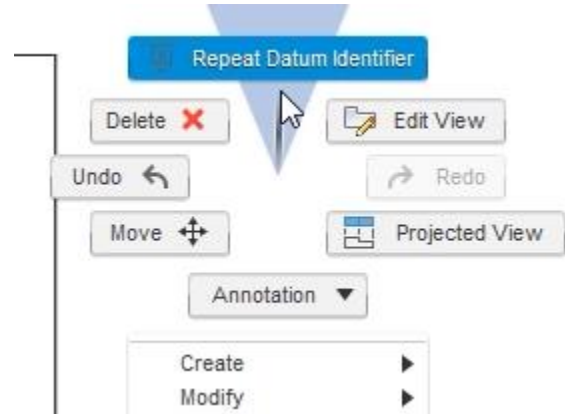


Figure 14. Reopen the Datum Identifier tool

**15.** Add a third datum identifier and notice that it is automatically labeled as C. OK the Datum Identifier dialog.

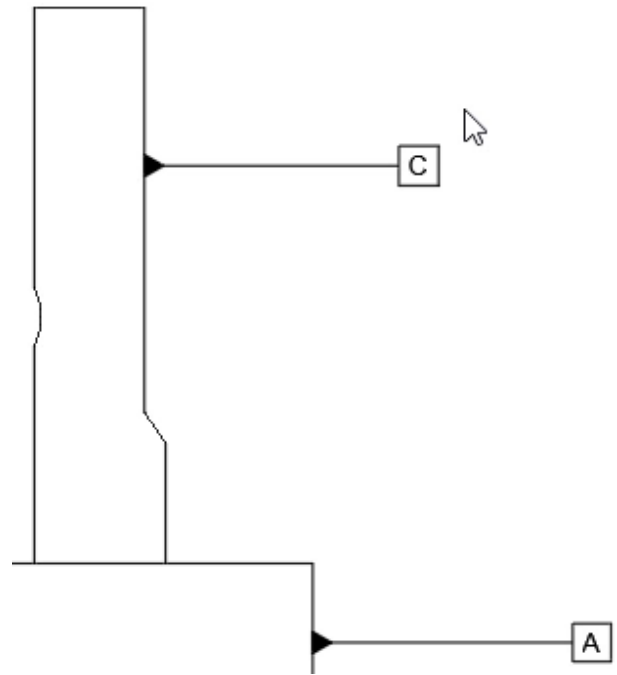


Figure 15. Add a datum identifier

16. Click Symbols> Feature Control Frame.

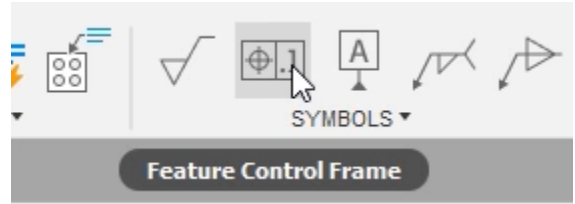


Figure 16. Open the Feature Control Frame tool

17. Click to place the Feature Control Frame to one of the drawing view's edges.

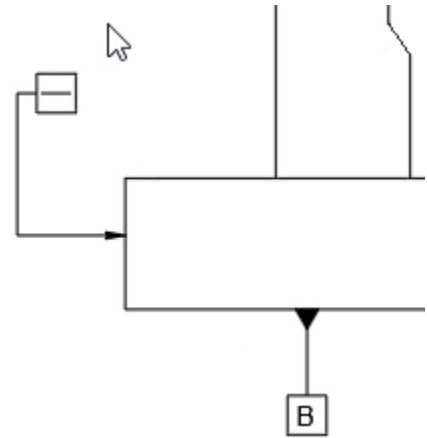


Figure 17. Place the control frame

18. Configure the options in the Feature Control Frame dialog the way you want, then OK the dialog.

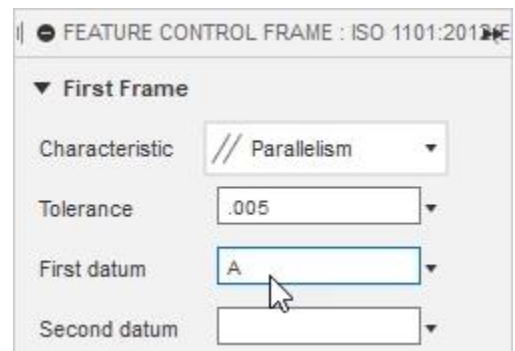
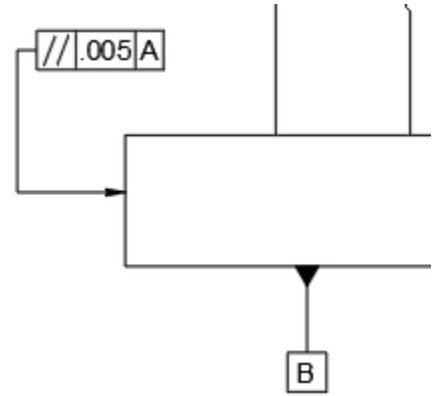


Figure 18. Customize the control frame

**19.** Notice that the control frame is updated with the information you specified in the dialog. Save the file and continue to the next module.



*Figure 19. Inspect the result*