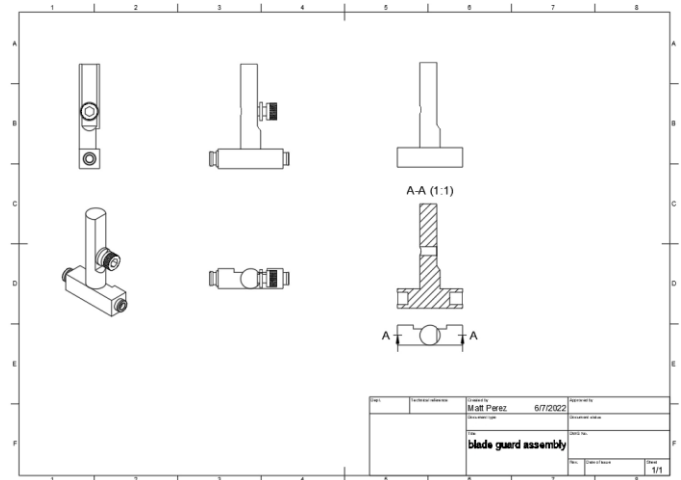


Create a drawing sheet and views

In this module, you'll create a drawing sheet and place several types of views into the drawing.

Learning objectives:

- Create a 2D drawing.
- Place views on a drawing sheet.



The completed exercise

1. Continue with the *blade guard assembly.f3d* file from the previous module.

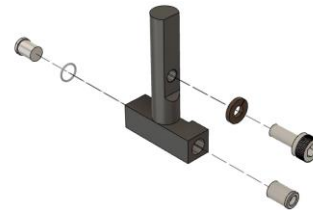


Figure 1. Continue with the file from the previous module

2. Navigate to the Drawing > From Design workspace.

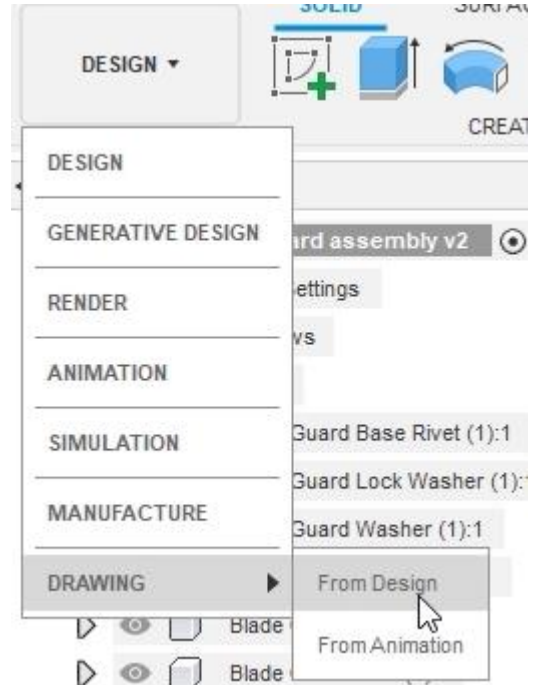


Figure 2. Navigate to the Drawing > From Design workspace

3. Explore the available options in the Create Drawing dialog but don't change any of the default settings. OK the dialog.

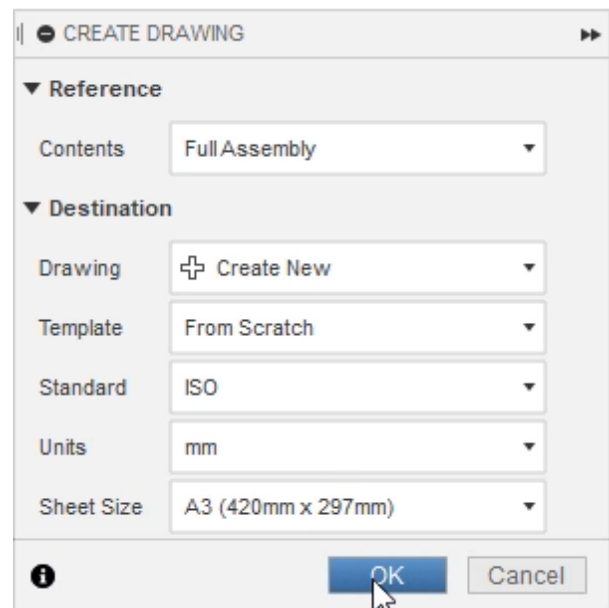


Figure 3. Explore the options for the new drawing

4. Before placing the drawing view onto the sheet, configure the appearance settings using the options in the Drawing View dialog.

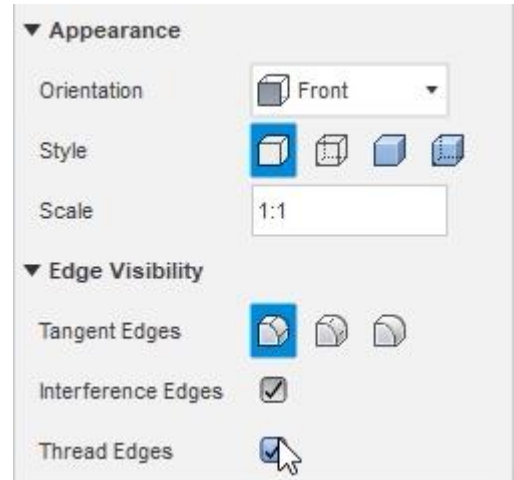


Figure 4. Configure the view's appearance

5. Click to place the base view in the sheet's upper left corner, then OK the dialog.

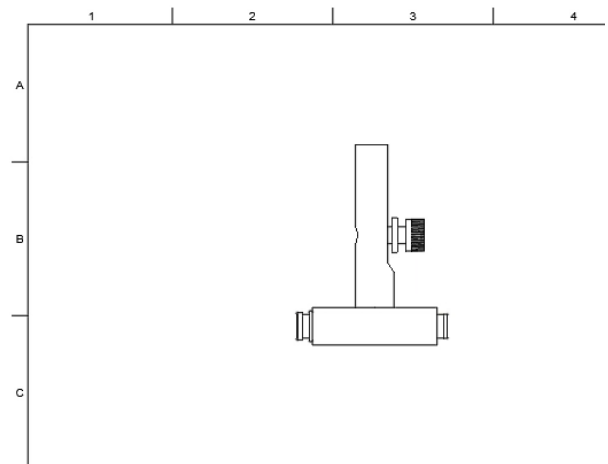


Figure 5. Place the base view

6. Click Create > Projected View.

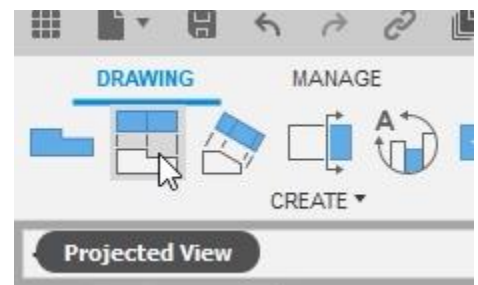


Figure 6. Open the Projected View tool

7. Select the base view you placed onto the sheet in Step 5, then click to place a projected view beside and below the base view. Click the green checkmark after you finish placing the projected views, then OK the dialog.

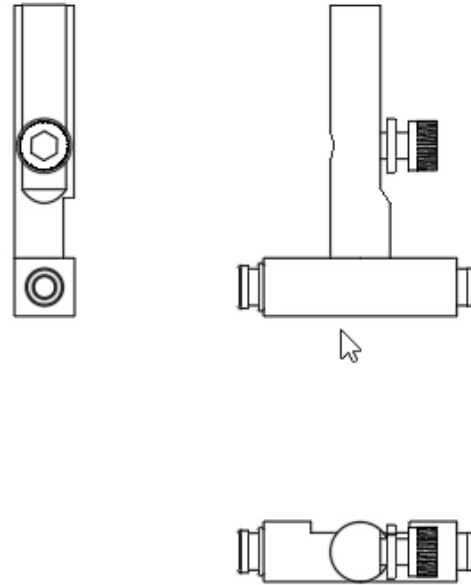


Figure 7. Place the projected views

8. Click Create > Base View.



Figure 8. Open the Base View tool

9. Before placing the new base view onto the drawing sheet, choose the Home option from the dialog's Orientation menu.

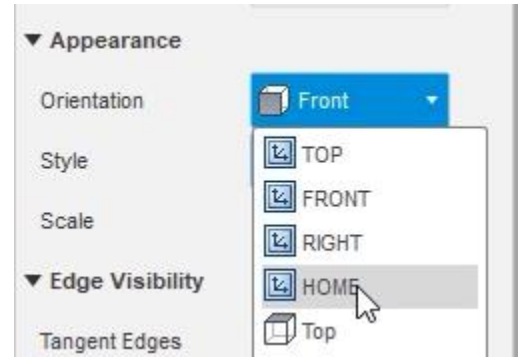


Figure 9. Choose the view's orientation

10. Place the Home view onto the sheet, then OK the dialog.

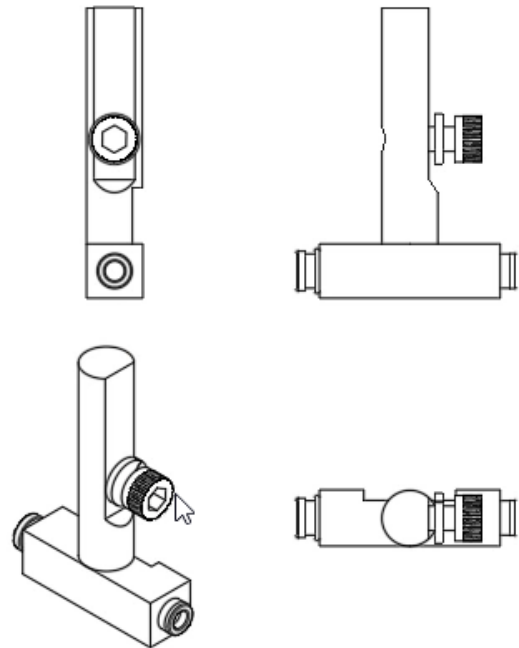


Figure 10. Place the new view on the sheet

- 11.** Select the original base view and move it to a new location on the sheet. Notice that the projected views are linked to it but the Home view is not.

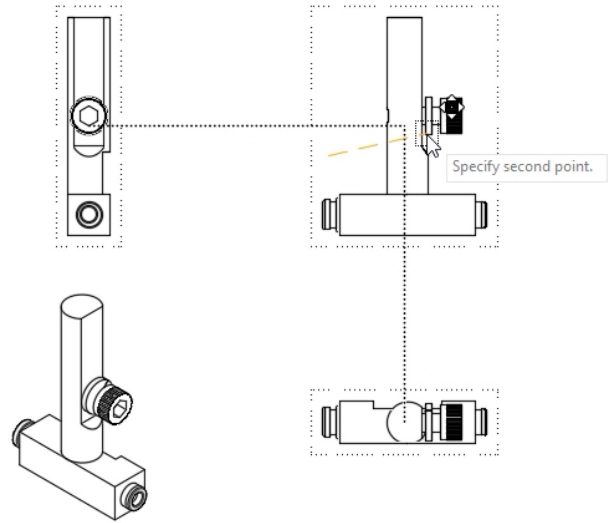


Figure 11. Move the base view

- 12.** Click Create> Base View and choose the Front option from the dialog's Orientation menu. Click to place this new base view onto the sheet.

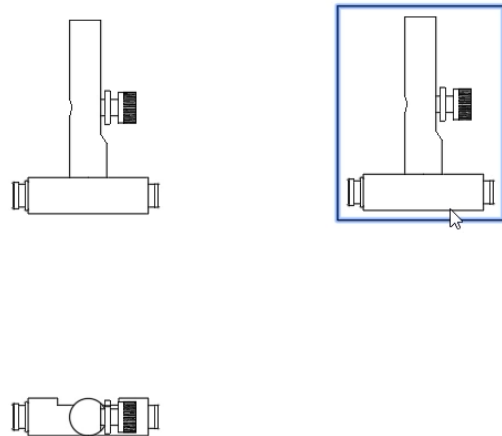


Figure 12. Place the new base view

13. Select the new base view you placed in the previous step, then use the Browser to suppress all the components except for the Blade Guard Post component.

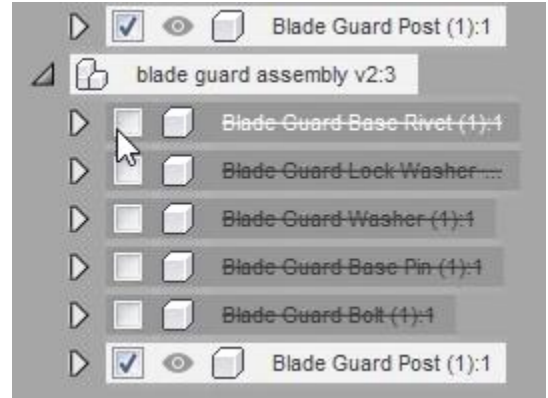


Figure 13. Suppress a view's components

14. The new view shows only the Blade Guard Post component.

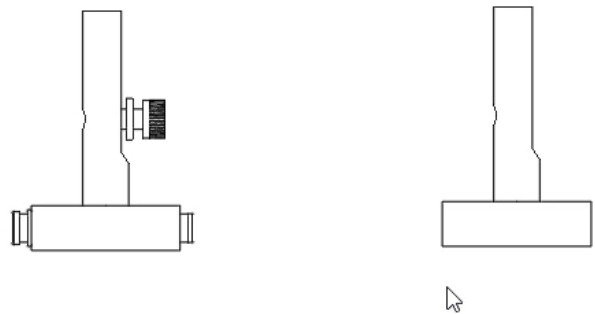


Figure 14. Inspect the result

15. Click Create> Projected View and project a top view below the new base view you placed.

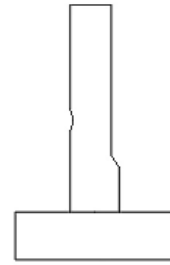


Figure 15. Create a projected view

16. Click Create> Section View.



Figure 16. Open the Section View tool

17. Select the projected view that you just created, then click on each side of the view to create a section through the model. Click the green checkmark to accept the section view.

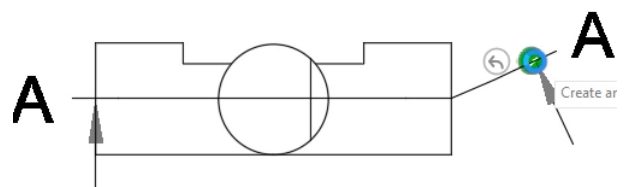


Figure 17. Choose the location for the section view

18. Click to place the section view onto the drawing sheet. If necessary, click and drag either of the views so that they don't overlap each other.

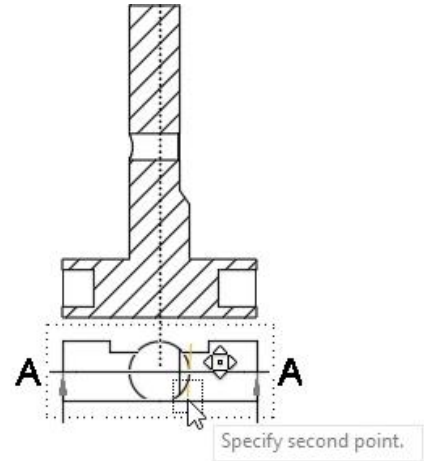


Figure 18. Place the section view onto the drawing sheet

19. Save the drawing and notice that Drawing is automatically added to the original file's name. Choose the location to save the file, then click the dialog's Save. Continue to the next module.

Save

Name:

blade guard assembly Drawing

Figure 19. Save the file